

Revealing EU climate, energy and environmental law interactions within a CCU value chain

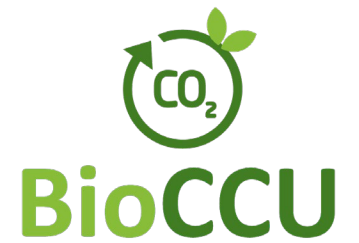
Expanding Horizons in the Hydrogen Economy: Insights Harvesting 16 October 2024

Associate Professor Tiina Paloniitty

University of Helsinki

BioCCU

a public-private research consortium



Research project partners



UNIVERSITY
OF OULU



HELSINGIN YLIOPISTO



Company project partners



Company funding partners



OULUN ENERGIA



Researcher team



Emilie Yliheljo
Doctoral researcher



Susanna Kaavi
Doctoral researcher



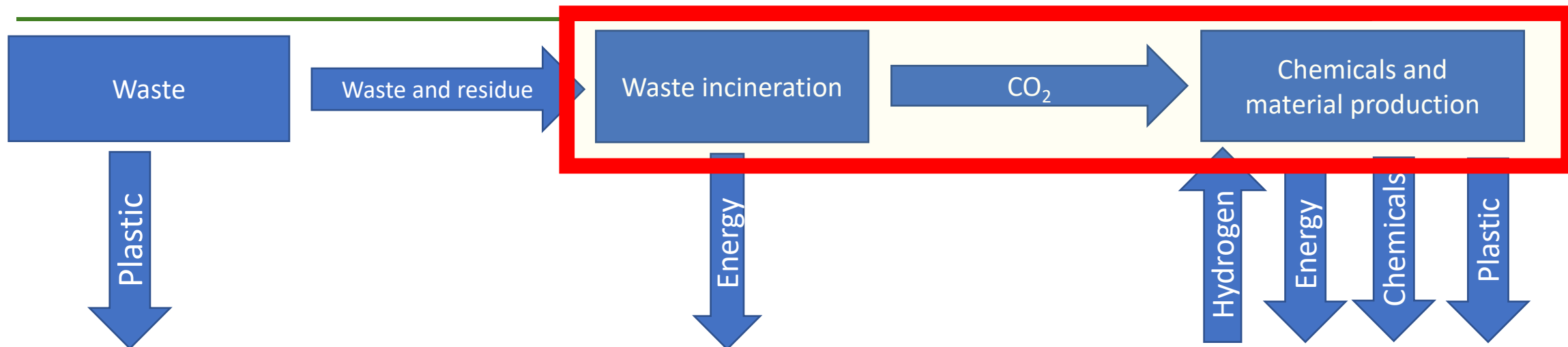
Tiina Paloniitty
Associate professor



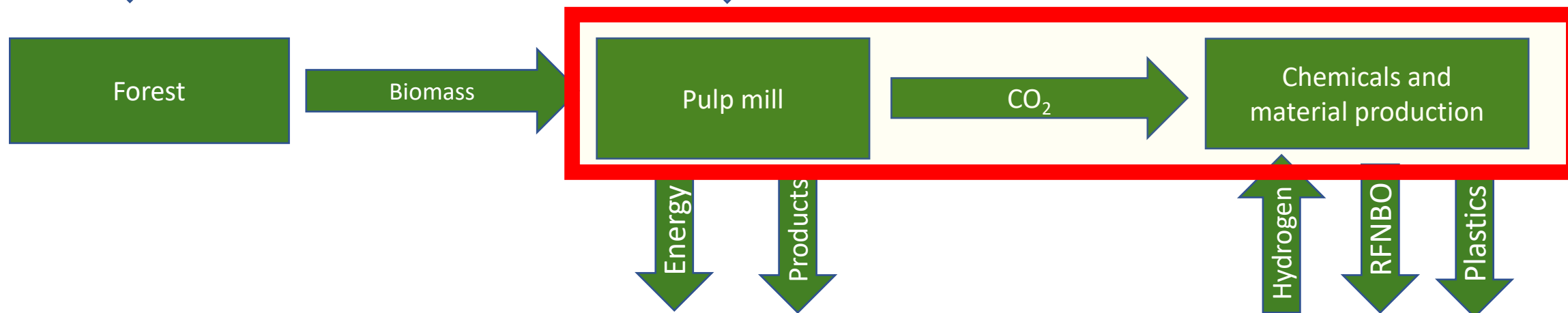
BioCCU

Two cross-sectoral CCU value chains

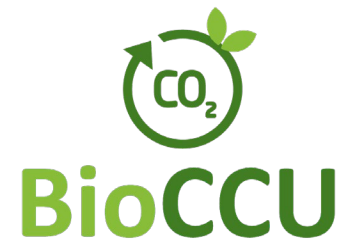
1.



2.



Research questions for both



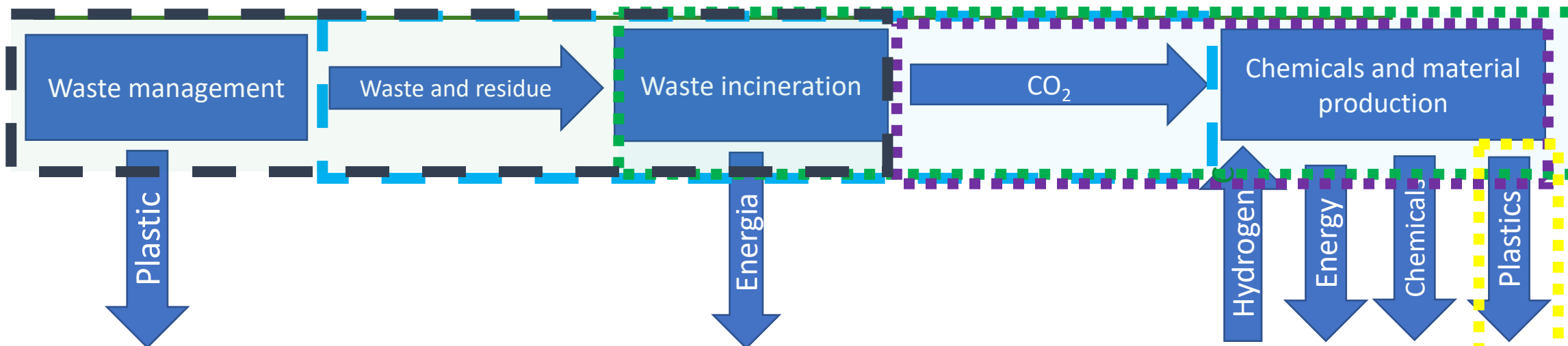
- Which regulatory frameworks implementing the European Green Deal are relevant to these specific CCU value chains, and how do these regulate different components of the value chain?
- How do these different regulatory frameworks interact?
- Can we identify regulatory barriers to the formation of this specific CCU value chain?



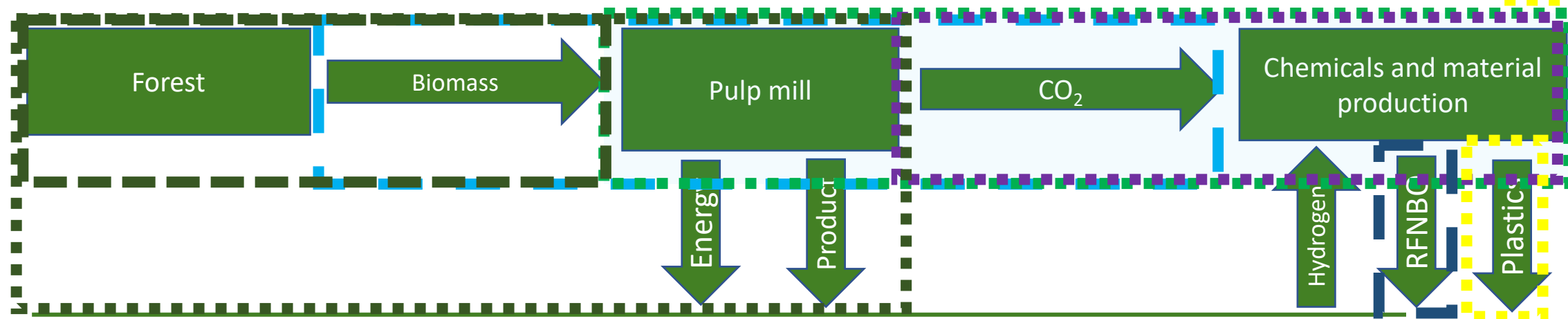
BioCCU

CCU value chains and lawscapes

1.



2.



Thank you!

Emilie Yliheljo, emilie.yliheljo@helsinki.fi

Tiina Paloniitty, tiina.paloniitty@helsinki.fi

Susanna Kaavi, susanna.kaavi@helsinki.fi